

Brief instructions for use

Models S 962-2, S 962-2W, S 382 from year of construction 05/2009

VÖLKER

A **Hilti-Rom** Company

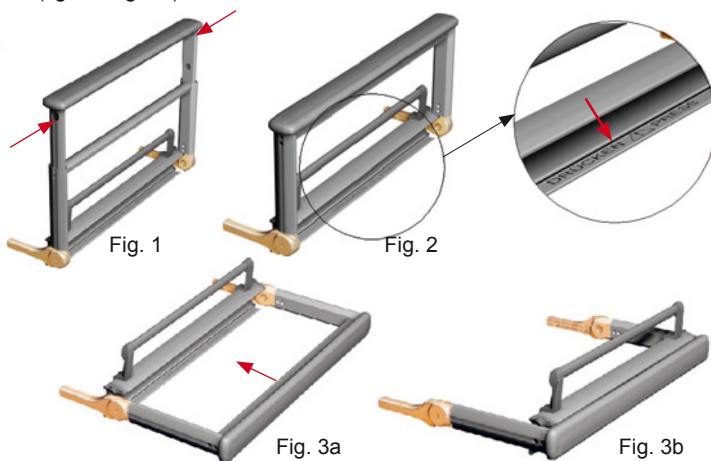
A. Side rails

Raising the side rails

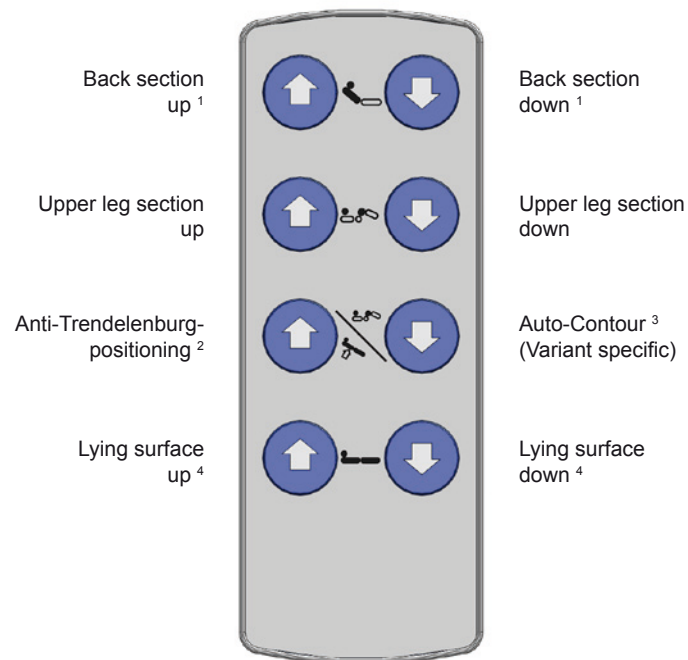
1. Pull the side rail element out horizontally until the end stop, and fold it upwards.
2. To adjust the height of the side rail, pull the telescopic section upwards until it reaches its end stop.

Lowering the side rails

1. Press both buttons on the outside of the frame (fig. 1), just under the cross-member, to bring the height-adjustable rail element to its lowest position.
2. Press the "Drücken / Press" trigger at the lower edge of the side rail element (fig. 2) and tilt it sideways into the horizontal plane, so that it lies parallel to the floor.
3. Push the rail element completely underneath the lying surface (fig. 3a, fig. 3b).



B. Hand control



¹ The Völker diagnostics system (optional) allows a time between 0 and 5 seconds delay to set the back rest movement to the 30° position (Function is variant specific).

² Leg end lowered

³ Back and upper leg section raised simultaneously

⁴ Pressing the "Lying surface up" and "Lying surface down" buttons simultaneously brings the bed into the horizontal position (Function is variant specific).

Brief instructions for use

Models S 962-2, S 962-2W, S 382 from year of construction 05/2009

VÖLKER

A Hi-Rom Company

C. Hand control key lock

Activating the hand control key lock disables all of the functions of the hand control.



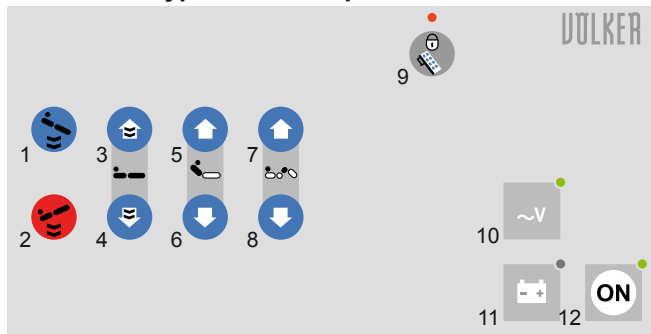
Hand control locked



Hand control unlocked

The hand control can also be locked with the button „lock hand control“ (9) on the nurse keypad.

D. Nurse keypad with complete lock (version for S 382)



- | | |
|--|---------------------------------------|
| 1 Anti-Trendelenburg positioning ^{A, H} | 7 Upper leg section up |
| 2 Trendelenburg positioning ^{B, H} | 8 Upper leg section down |
| 3 Lying surface up ^{C, H} | 9 Lock hand control |
| 4 Lying surface down ^{C, H} | 10 Mains voltage display ^E |
| 5 Back section up ^D | 11 Battery display ^F |
| 6 Back section down ^D | 12 On Switch ^G |

- ^A Leg end lowered
- ^B Head end lowered
- ^C Pressing buttons 3 and 4 simultaneously brings the bed into the horizontal position (Function is variant specific).
- ^D The Völker diagnostics system (optional) allows a time between 0 and 5 seconds delay to set the back rest movement to the 30° position (Function is variant specific).
- ^E green: mains voltage is on
- ^F green: >80% charged; yellow: 30-80% charged; red: discharged; flashing: charging
- ^G After pressing the "on" button, the keypad is available for up to 120 seconds after the last action, then it goes into stand-by mode.
- ^H automatic function with double click possible on a country-by-country basis

NOTE Please note that to operate the bed, the nurse keypad must be switched on by pressing the on switch. If no electric function can be activated, press the Reset button on the motor housing.

→ S 962-2 (DA01), S 962-2W, S 382: Then press the green button on the mains isolation after 10 seconds in order to reactivate the bed. Never press both green buttons at the same time. ←

NOTE The S 962-2 and S 382 models correspond to protection class IPX4 (splash-proof) and are therefore not suitable for cleaning in automatic washing systems.

The S 962-2W model corresponds to protection class IPX6 (highly spray-proof) and is suitable for cleaning in automatic washing systems (IPX6).

NOTE Please observe the notes in the detailed instructions for use!