

Brief instructions for use

Models 3080, 3080 K from year of construction 03/2003

VÖLKER

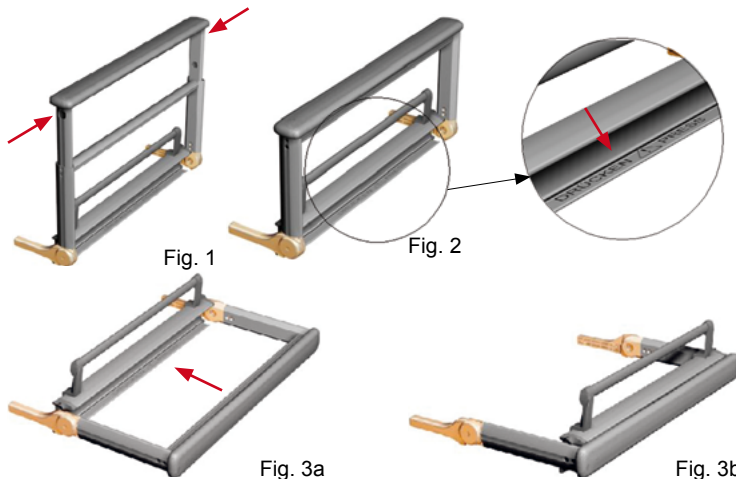
A. Side rails

Raising the side rails

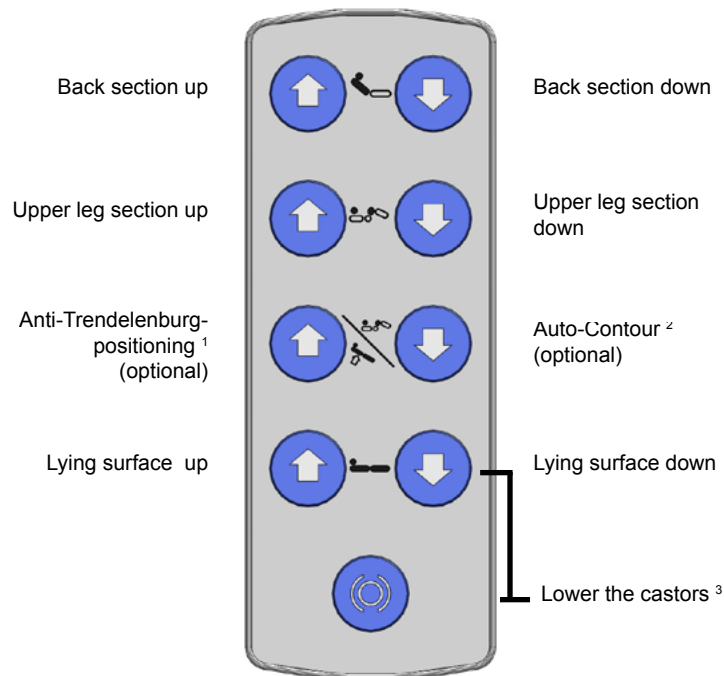
1. Pull the side rail element out horizontally until the end stop, and fold it upwards.
2. To adjust the height of the side rail, pull the telescopic section upwards until it reaches its end stop.

Lowering the side rails

1. Press both buttons on the outside of the frame (fig. 1), just under the cross-member, to bring the height-adjustable rail element to its lowest position.
2. Press the "Drücken / Press" trigger at the lower edge of the side rail element (fig. 2) and tilt it sideways into the horizontal plane, so that it lies parallel to the floor.
3. Push the rail element completely underneath the lying surface (fig. 3a, fig. 3b).



B. Hand control



¹ Leg end lowered

² Back and upper leg section raised simultaneously

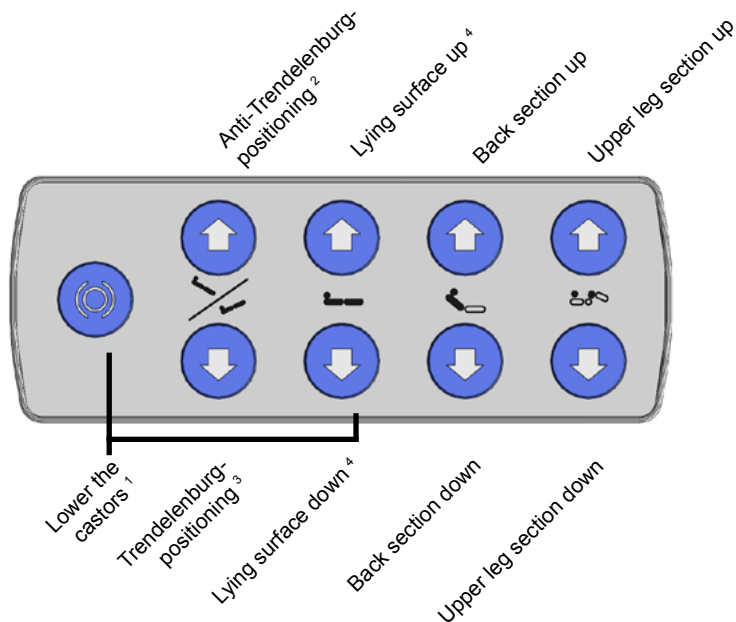
³ Press both buttons simultaneously: the lying surface moves to the lowest position and the castors lower

Brief instructions for use

Models 3080, 3080 K from year of construction 03/2003

VÖLKER

C. Nurse keypad with complete lock (option)



¹ Press both buttons simultaneously: The lying surface moves to the lowest position and the castors lower

² Leg end lowered

³ head end lowered

⁴ The nurse keypad can be equipped with an automatic function (double-click) on a country-by-country basis

D. Key lock

Activating the key lock of the hand control or nurse keypad (optional) disables all functions of the relevant control element.



Hand control or nurse keypad locked



Hand control or nurse keypad unlocked

Locking the nurse keypad also locks the hand control.

NOTE The bed conforms to the protection class IPX4 (splash-proof) and is hence not suitable for cleaning in automatic washing systems. The bed may not be used for transporting occupants/patients.

NOTE Please observe the notes in the detailed instructions for use!