

Assembly instructions

Elevated side rails and clamps model ZK-991 2.0 - 2.2

for healthcare and hospital bed models S 962-2, S 962-2W, S 960-2, S 961-2W, S 961-1, 3082 K, 3080 K, 5380 K in "S" design version

VÖLKER

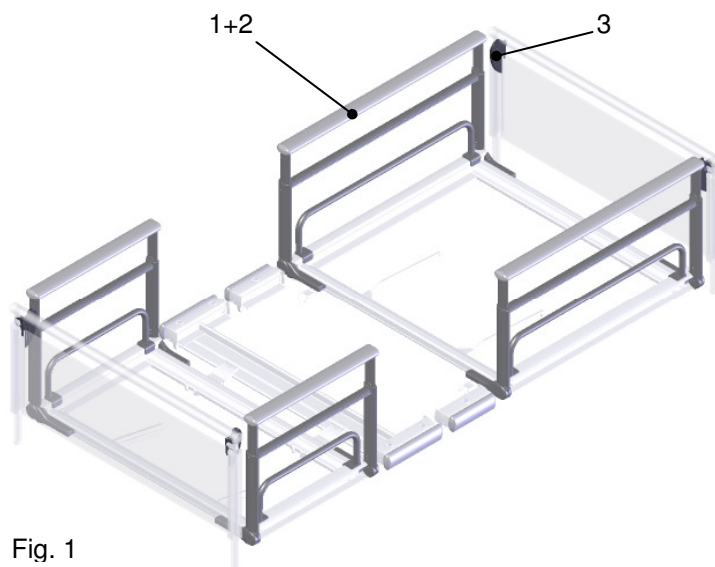


Fig. 1

Representation of elevated side rails

These are 60 mm higher than the standard side rails.

The elevated side rails are accessories.

Accessories:

| Item | Qty | Article no. | Description |
|------|-----|------------------------------|---|
| 1 | 1 | BG3383/ BG3384/ BG3385 | Side rails kit, elevated (incl. mattress holder) |
| 2 | 1 | BG1528/ BG1988/ BG1989 | Joint edge set (pre-installed) |
| 3 | 1 | BG2308 | Clamps, set |

Installation:

1. Strike the parallel pin (4) upwards with a flat object (fig. 2). When doing this, make sure that the hinged guide (plastic part) is not damaged.
2. Press the release section downwards (direction A) and pull the side rail out (direction B) (fig. 3).
3. To install the new side rail, you must press the release section down again (direction A) and guide both joints into the frame cross section at the same time (direction C) (fig. 3).
4. Strike the parallel pins from the top to the bottom with a flat object so that the parallel pins and the hinged guide are flush (detail fig. 3). When doing this, make sure that the hinged guide is not damaged.
5. Repeat steps 1-4 for the other 3 side rail elements.
6. Unscrew the existing mattress holder (5) from the bed and then install the elevated mattress holder.
7. Make sure that the connections are tight.

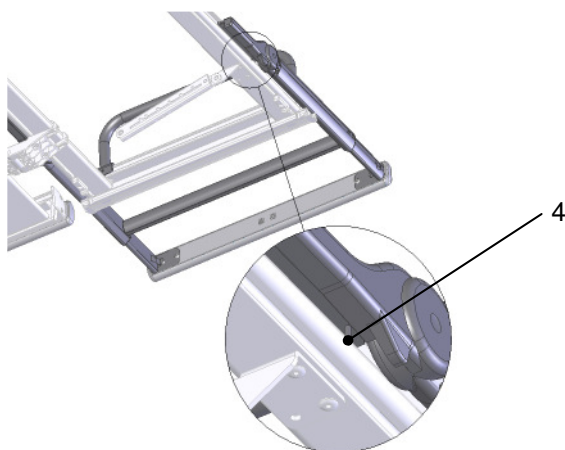


Fig. 2

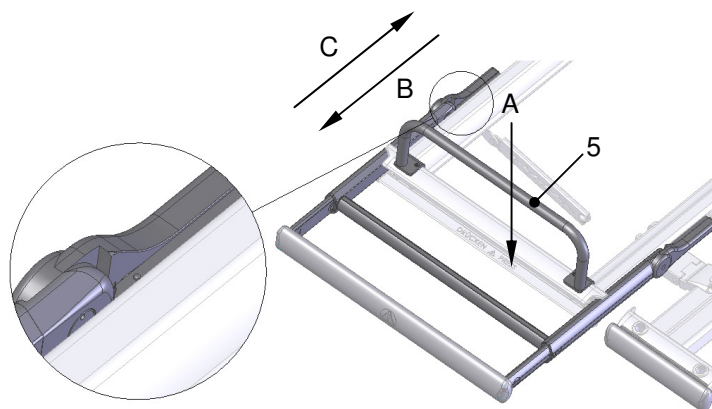


Fig. 3

Assembly instructions

Elevated side rails and clamps model ZK-991 2.0 - 2.2

for healthcare and hospital bed models S 962-2, S 962-2W, S 960-2, S 961-2W, S 961-1, 3082 K, 3080 K, 5380 K in "S" design version

VÖLKER

To comply with standard IEC 60601-2-52, it must be ensured that on beds with elevated side rails, the head and foot sections are both fastened with two clamps.

Accessories:

| Item | Qty | Article no. | Description |
|------|-----|-------------|---|
| 6 | 2 | KT2570 | Clamp, right |
| 7 | 2 | KT2571 | Clamp, left |
| 8 | 4 | F2704 | Clamp bracket |
| 9 | 4 | SR2335 | Flat mushroom head screw A2, M4x25 ISO 7380 |
| 10 | 4 | SR2334 | Union nut A2, M4 DIN 986 |

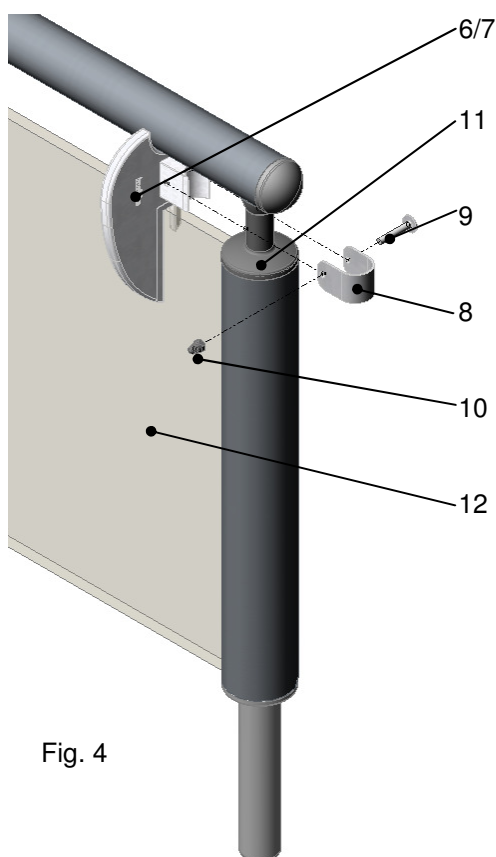
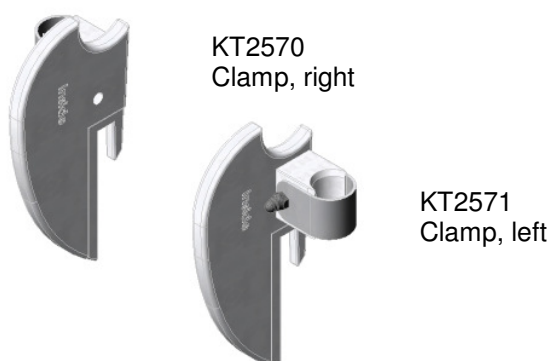


Fig. 4



Installation:

8. Unscrew the flat mushroom head screw (9) and remove this, the union nut (10) and the clamp bracket (8).
9. Push the respective clamps (6/7) right and left onto HPL board (12) and push this onto the tube cap (11). Ensure that the clamp arms point inwards and that the notch of the clamp sits tightly on the HPL board to prevent this from twisting out of position (fig. 5).
10. Push the clamp bracket (8) over the tube cap (11) onto the clamp (6/7).
11. Push the flat mushroom head screw (9) through the clamp bracket (8) and the clamp (6/7) and fix this with the union nut (10).
12. Repeat steps 8-11 at the other end of the bed to fasten the other clamps.
13. Make sure that the connections are tight.

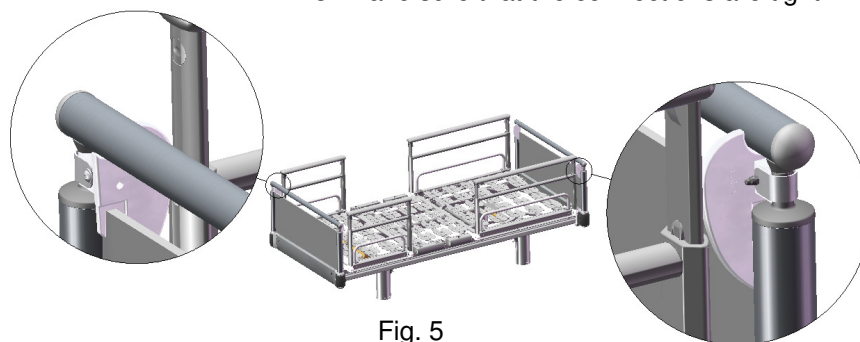


Fig. 5