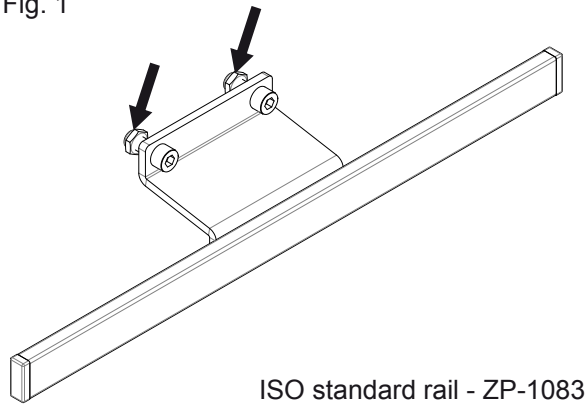


Assembly instructions

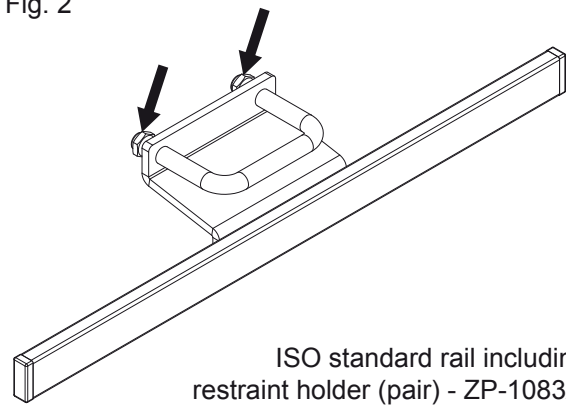
for ZP-3051/4, ZP-1083, ZP-1083/2 on low-height beds built after week 34/2012

Fig. 1



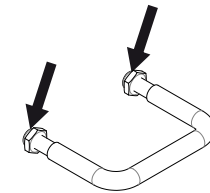
ISO standard rail - ZP-1083

Fig. 2

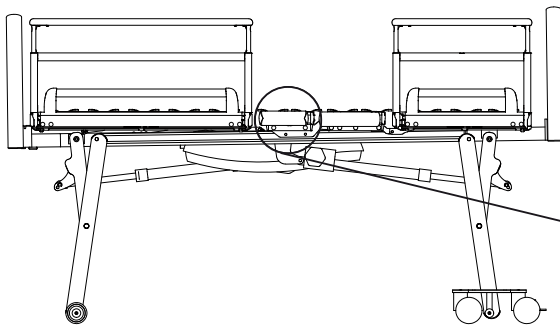


ISO standard rail including restraint holder (pair) - ZP-1083/2

Fig. 3



Restraint holders (pair) - ZP-3051/4



Detail:

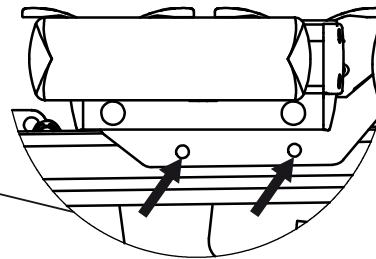


Fig. 4

Detail with mounted ISO standard rail:

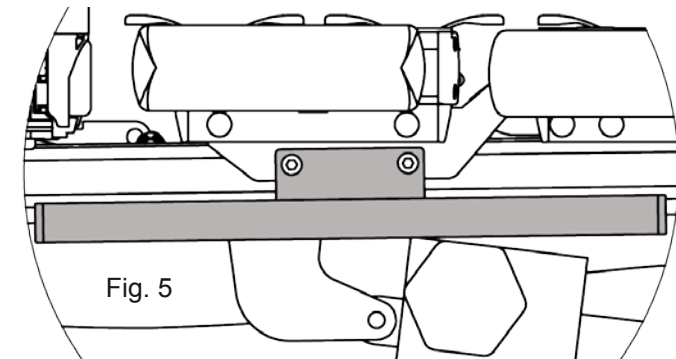


Fig. 5

Assembly

1. Loosen both lock nuts indicated above on the ISO standard rail or on the restraint holders (Fig. 1-3).
2. Push the screws of the ISO standard rail or the bolts of the restraint holders from the outside via the bores of the low-height bed shown in the detail (Fig. 4).
3. Fasten the ISO standard rail or the restraint holders with both of the nuts loosened under point 1 and a wrench 13 from the inside on the bed (Fig. 5).
4. Check tightness of both lock nuts and the whole ISO standard rail or restraint holder.

Restraint systems such as belts or straps should only be used exactly as specified by the manufacturer.

If restraint systems in the form of abdominal belts are used, then it must be ensured that the side rails are completely raised. In beds with split side rails, the gap in the middle of the rails must always be closed using a rail spacer.

⚠ DANGER When using securing systems and rail spacers, please note the separate instructions for use pertaining to these accessories.

The lying surface adjustment functions must be locked when a patient is restrained, and the hand control must be kept out of the occupant's/patient's reach!