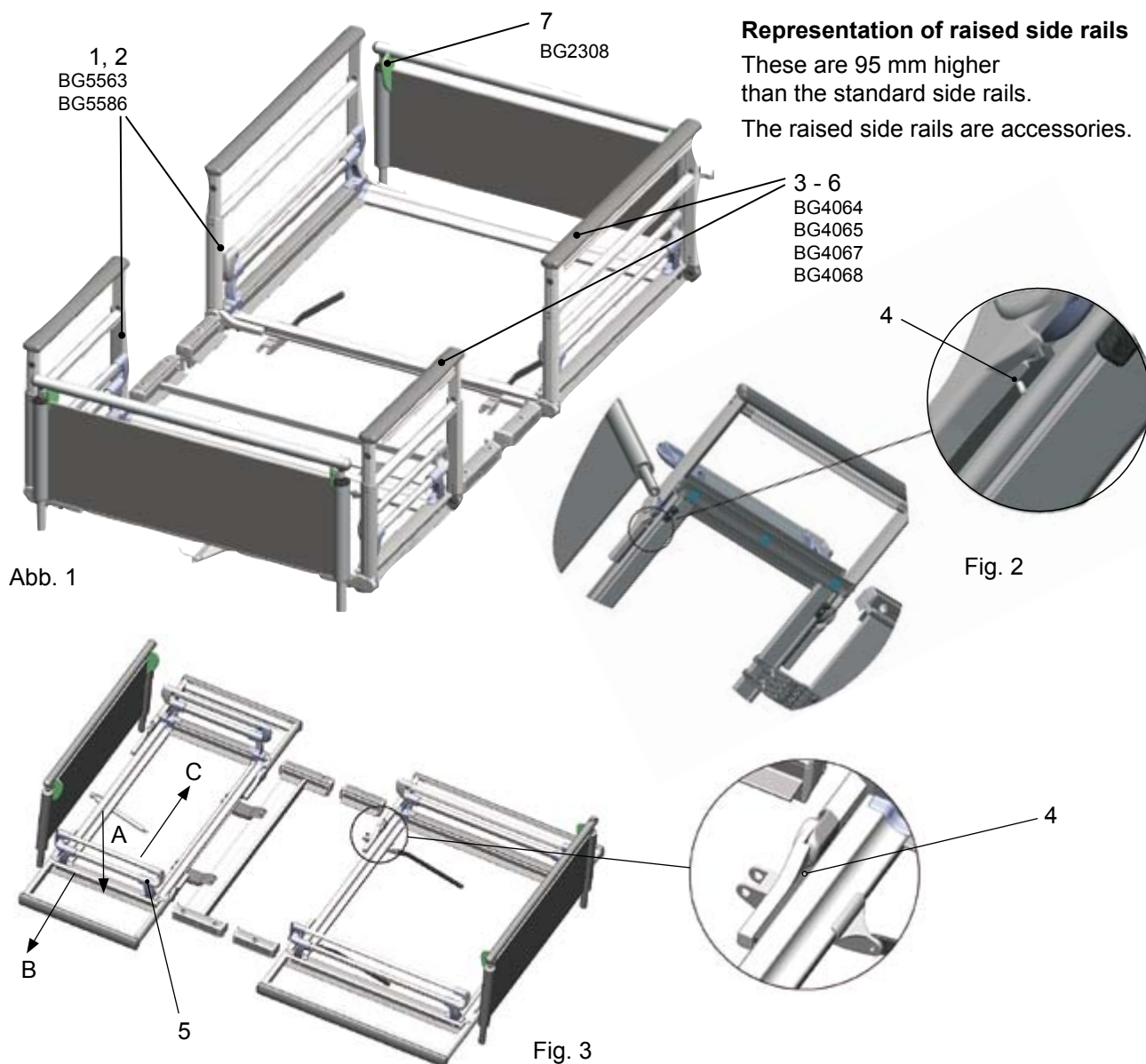


# Assembly instructions

## Raised side rails 43.5 - 45 cm model ZK-993 2.0 - 2.1, model ZP-3076 2.0 - 2.1

for care and hospital bed models (built from approx. 2003) **S 960-2, S 961-1, S 961-2W, S962-2, S962-2W, S 962-2 VaV, 3080 K, 3082 K, 3082 K VaV, 5380 K** in design variant "S"



### Representation of raised side rails

These are 95 mm higher than the standard side rails.  
The raised side rails are accessories.

Item	Qty.	Article number	Description
1	1	BG5563	Side rail set, raised 2.00 m (incl. mattress holder)
2	1	BG5586	Side rail set, raised 2.10 m (incl. mattress holder)
3	1	BG4064	Bumper set 2.00 m
4	1	BG4065	Bumper set 2.10 m
5	1	BG4067	Bumper set 2.00 m (only for VaV)
6	1	BG4068	Bumper set 2.10 m (only for VaV)
7	1	BG2308	Clamps, set

### Assembly:

1. Strike the parallel pin (4) upwards with a flat object (fig. 2). When doing this, make sure that the hinged guide (plastic part) is not damaged.
2. Press the release profile down (direction A) and pull the side rail out (direction B) (fig. 3).
3. To install the new side rail, you must press the release profile down again (direction A) and guide both joints into the frame cross sections at the same time (direction C) (fig. 3).
4. Strike the parallel pins of the installed side rail with a flat object from top to bottom so that the parallel pin and hinged guide are flush (detail fig. 3). When doing this, make sure that the hinged guide is not damaged.
5. Repeat steps 1 - 4 for the other 3 side rail elements.
6. Unscrew the 4 existing mattress holders (5) from the bed and then install the raised mattress holders.
7. Make sure that the connections are tight.
8. Please note that the mattress holders (5) must always be raised first, and then the side rails.

*Continues on the back of the page*

# Assembly instructions

**Raised side rails 43.5 - 45 cm model ZK-993 2.0 - 2.1, model ZP-3076 2.0 - 2.1**

**for care and hospital bed models (built from approx. 2003) S 960-2, S 961-1, S 961-2W, S962-2, S962-2W, S 962-2 VaV, 3080 K, 3082 K, 3082 K VaV, 5380 K in design variant "S"**

To ensure compliance with the standard IEC 60601-2-52 for beds with raised side rails, 2 clamps must be fastened to the head and foot board.

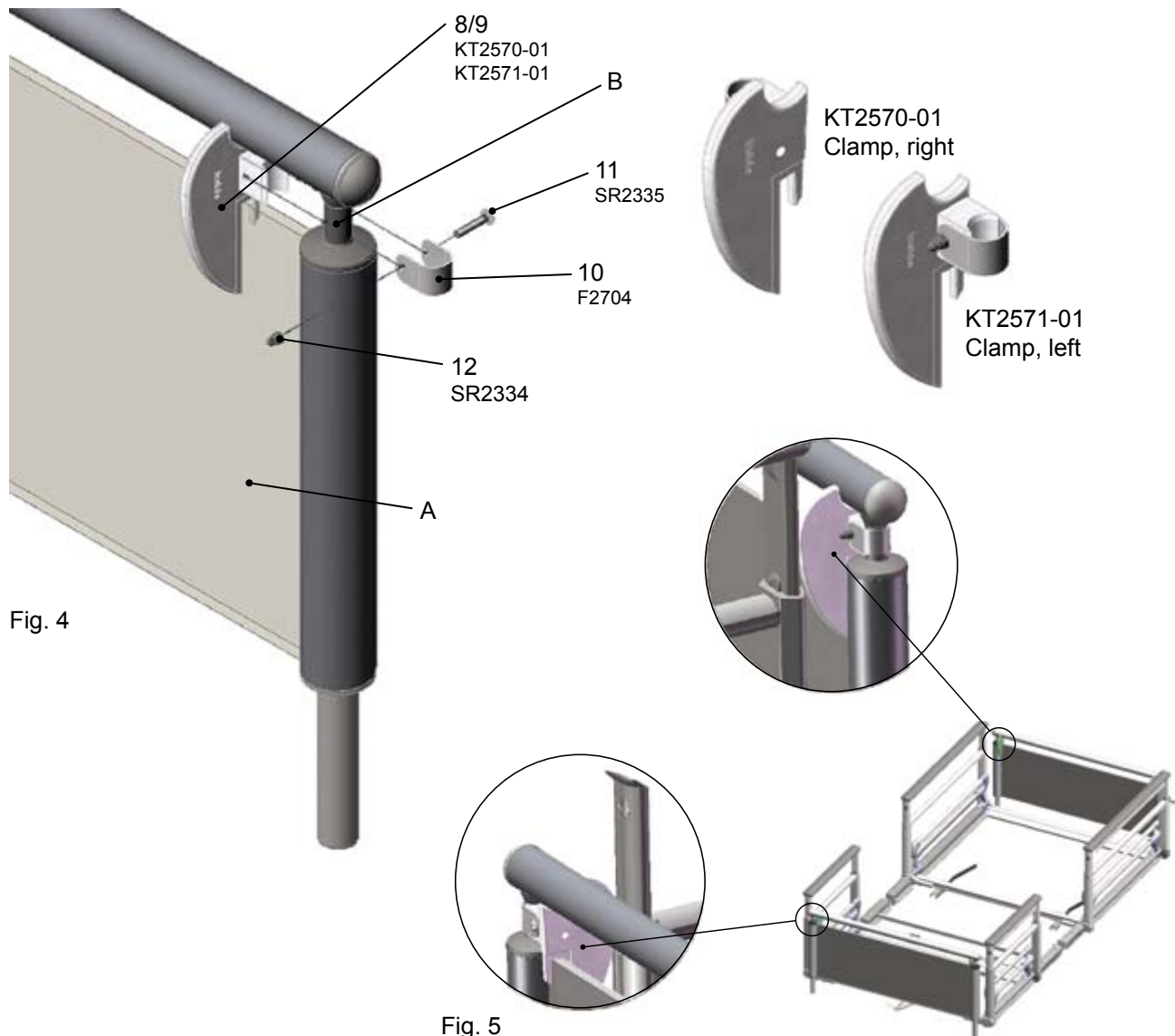


Fig. 4

Fig. 5

Item	Qty.	Article number	Description
8	2	KT2570-01	Clamp, right
9	2	KT2571-01	Clamp, left
10	4	F2704	Clamp bracket
11	4	SR2335	Flat mushroom head screw A2, M4x25 ISO 7380
12	4	SR2334	Union nut A2, M4 DIN 986

### Assembly:

1. Unscrew the flat mushroom head screw (11) and remove this, the union nut (12) and the clamp bracket (10).
2. Push the respective clamps (8/9) on the right and left onto HPL board (A) and push these onto the tube cap (B). Ensure that the clamp arms point inwards and that the notch of the clamp sits tightly on the HPL board (A) to prevent this from twisting out of position (fig. 5).
3. Push the clamp bracket (10) over the tube cap (B) onto the clamp (8/9).
4. Push the flat mushroom head screw (11) through the clamp bracket (10) and the clamp (8/9) and fix this with the union nut (12).
5. Repeat steps 1 - 4 at the other end of the bed to fasten the other clamps.
6. Make sure that the connections are tight.