

Hospital beds from Völker: Beds for all applications.



Complete concept



Lying better



Absolute stability



Guaranteed safety



German engineering



Independent mobility

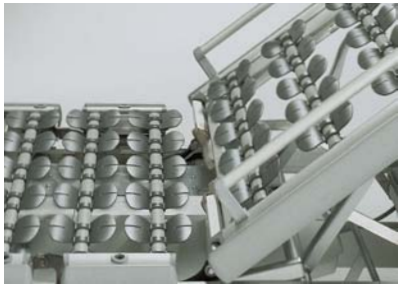


Independence & protection



Many design choices

VÖLKER
Care Concept



Lying better

Systematic pressure sore prevention: MiS® Micro-stimulation.

- Ideal lying comfort.
- Self perception promoted.
- Increased patient mobility.
- Pain reduction.

AND NOW: alternating pressure therapy with MiS® Activ.

Lightweight and stable

Easy to transport, even when fully loaded.

- Lightweight, high strength aluminum construction.
- Easy to maneuver using straight steering control.
- Large single casters that can be easily replaced.
- Four-caster central braking system via brake pedal at foot end.
- Minimum overall size (39 in.) with maximum lying surface dimension (35 3/8 in.).

Better care

All functions are electrically operated.

- Nurse control panels can be conveniently placed on top of the assist rails or footboard as well as in the bedding storage drawer (depending on the model).
- Time-saving automatic functions for nursing purposes (e.g. cardiac chair, transport, reanimation position) with model S961-2W and S961-1.
- LCD display shows degree of incline for all lying surfaces as well as bed height. Technical data such as battery status, bed number, and parameter settings are also displayed (model S961-1).

Guaranteed safety

Multiple safety measures.



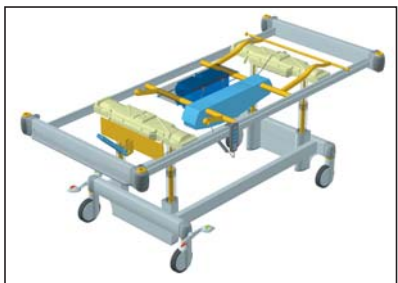
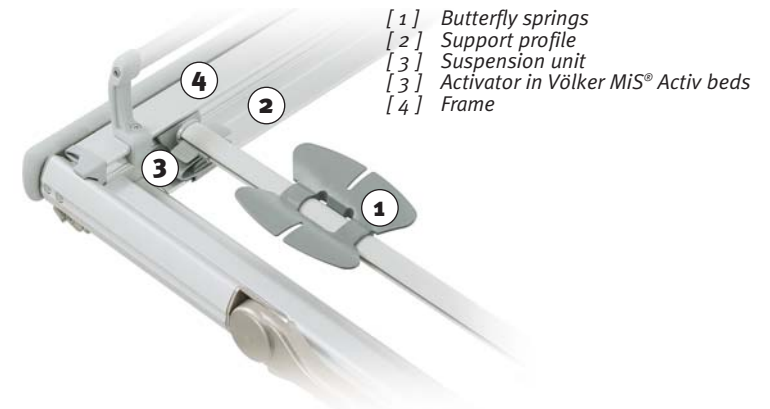
- Integrated initial failure security.
- Zero potential leakage due to main (mains) power cut-out and 24V DC battery operation.
- Minimal power consumption due to torodial transformer – no electrical fields.
- No overloading or overheating due to smart loading electronic system.
- Neither electric nor thermal overloading due to overload protection.
- Easy to service disconnecting main (mains) power cord.

Independence and protection

Assist rails that provide independence and protection.

- Today's integrated, two-part, assist rails by Völker meet tomorrow's guidelines today (FDA etc.).
- Völker assist rails hide away when not in use to enhance patient dignity.
- Völker's patented assist rails provide a completely flexible solution, going from no rail to assist rail or (with accessory) to complete rail as needed.

CURRENT NEWS: Völker assist rails are recommended worldwide by experts in fall prevention.



The entire lifting and drive unit has been removed from the framework and transferred to a cross-member. The cast component holding the frame is completely sealed against moisture penetration. A telescopic jack, integrated into each of the bed's four legs, is maintenance free and built into a stainless steel outer column. The two synchronized motors (24V low voltage) for parallel height adjustment are equipped with a synchronization control that corrects the smallest deviations and returns the lying surface from Trendelenburg or reverse-Trendelenburg to a true horizontal position.



- Maximum stability due to three-stage spindle telescopic height adjustment unit.
- Automatic raising to working position, synchronization control unit.
- Stable lying surface (horizontally/laterally), even in case of irregular loads.
- Mattress compensation (standard), integrated bed extension (optional).
- Integrated accessory slide track on both bed sides.

Ultimate stability Providing care with save operation.

- Safe working load 463 lb. (210 kg).

Proven and tested concept Better bed service.

- Ideally designed for in-room or centralized disinfecting (depending on model).
- Sealed components, smooth surfaces and maximized wire and linkage management.
 - Stainless steel materials, maintenance-free motors
 - Extended maintenance intervals, component parts replacement.

Available soon: Technical service educational CD.

Independent mobility We encourage independence.

- Promoting opportunities for independent mobility
- Infinitely adjustable positioning by means of a hand control
 - Convenient hand control mounting choices
 - Adjustable assist rails facilitate independence
- As much protection as necessary, as much freedom as possible

German engineering Made in Germany.

- High quality manufacturing
- Beds meet current standards
- Certified by independent quality inspection institutes
 - Compliance with international marks of conformity
- Original inspection in accordance with VDE 0751 at place of production
 - In accordance with DIN EN 60601-1, 60601-2-38 and EN 1970

Many design choices A significant product line.

- Repeated award winning Health Care Design
 - Providing a sense of patients' well-being
 - Content patients, content families
 - Motivating nursing, lowering staff turnover
- Promoting the image of the health care facility



Völker Care Concept

Additional Information

Völker hospital beds have so much to offer. If you want more detailed information on our many advantages
please fill in this page and fax it to: +49-2302-960 96 16

Last name, first name

Healthcare facility, if applicable

Street

City, State, Zip Code

Country

Phone

E-mail

[] Please call me to make an appointment.



Völker AG · Wullener Feld 79 · 58454 Witten · Phone +49-2302-960 960 · Fax +49-2302-960 96 16 · www.voelker.de