

Brief instructions for use

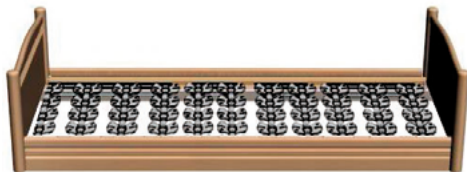
Model 2082 from year of construction 06/2009

VÖLKER

A. Side rails

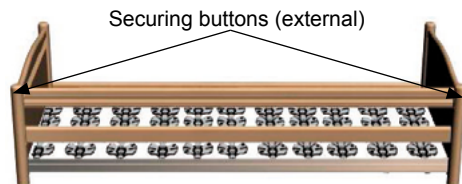
Raising the side rails

To raise the side rails, take hold of the grip recess and lift it first at the head end and then at the foot end until the rail audibly engages.

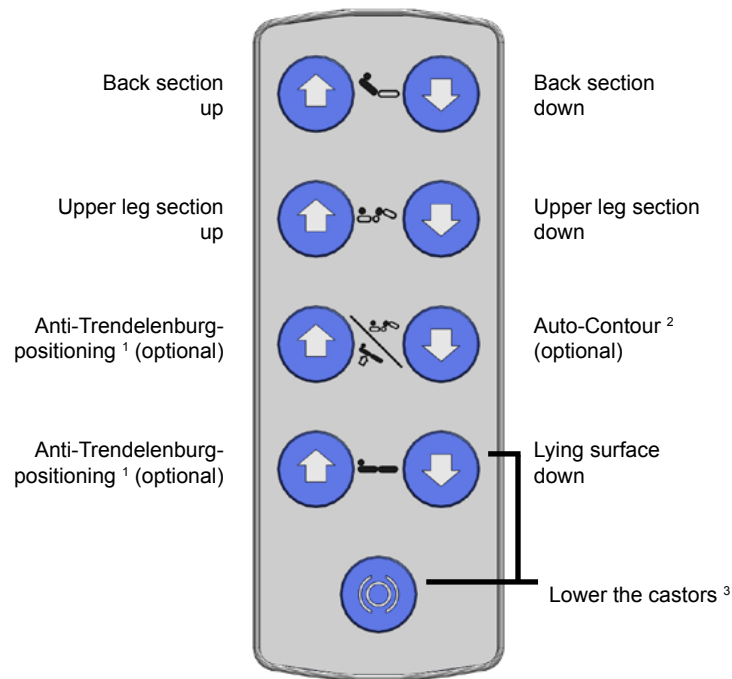


Lowering the side rails

Starting at the foot end, take hold of the recess grip and lift the top rail slightly. Press the button on the side and allow the side rail to lower. Repeat at the head end.



B. Hand control



¹ Head end raised

² Back and upper leg section raised simultaneously

³ Press both buttons simultaneously: the lying surface moves to the lowest position and the castors lower

Brief instructions for use

Model 2082 from year of construction 06/2009

VÖLKER

C. Hand control key lock

Activating the hand control key lock disables all of the functions of the hand control.



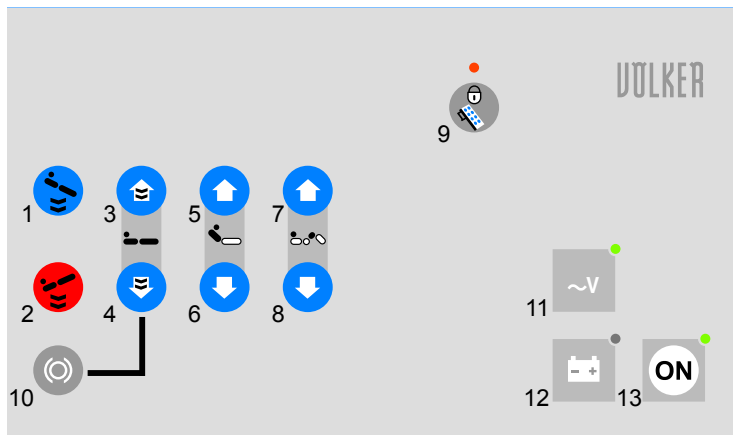
Hand control locked



Hand control unlocked

The hand control can also be locked with the button „lock hand control“ (9) on the nurse keypad.

D. Nurse keypad with complete lock (option)



- | | |
|---|---------------------------------------|
| 1 Anti-Trendelenburg positioning ^{1,7} | 8 Upper leg section down |
| 2 Trendelenburg positioning ^{2,7} | 9 Lock hand control |
| 3 Lying surface up ⁷ | 10 Lower the castors ³ |
| 4 Lying surface down ⁷ | 11 Mains voltage display ⁴ |
| 5 Back section up | 12 Battery display ⁵ |
| 6 Back section down | 13 On switch ⁶ |
| 7 Upper leg section up | |

¹ Head end raised

² Head end lowered

³ Press both buttons simultaneously: the lying surface moves to the lowest position and the castors lower

⁴ green: mains voltage is on

⁵ green: >80% charged; yellow: 30-80% charged; red: discharged; flashing: charging

⁶ after pressing the button, the keypad is available for up to 120 sec. after the last action, then it locks automatically

⁷ automatic function with double click possible on a country-by-country basis

NOTE Please note that to operate the bed, the nurse keypad must be switched on by pressing the on switch. If no electric function can be activated, press the green reset button on the motor housing. If the battery display then lights up red, briefly disconnect the mains plug. Press the green button on the mains isolation switch after reconnecting the mains plug to put the bed back into operation. Never press both green buttons at the same time.

NOTE The bed is not suitable for cleaning in automatic washing systems (IPX4).

NOTE Please observe the notes in the detailed instructions for use!